



## GeBE-COMPACT Plus Linerless GPT-4673-P-LL

### TECHNICAL INFORMATION



#### Highlights at first sight:

- Built-in thermal printer with presenter unit, also with paper roll holder
- Linerless cutter for full cut for paper thickness 70 – 120 µm
- Suitable for linerless paper printouts of text, graphics and barcodes
- For paper width 58 – 80 mm and paper roll diameter up to 150 mm
- High quality print of 203 dpi with speed up to 250 mm/s

## The GeBE-COMPACT Plus Linerless

The built-in thermal printer GeBE-COMPACT Plus with linerless cutter and presenter unit is particularly suitable for papers without liner material (linerless). The material of the platen as well as the cutter knife is adhesive-repellent whereby linerless paper is transported and cut off without any problems. The linerless papers are also much more environmentally friendly, as no carrier material has to be disposed of as hazardous waste.

The wide range of available layout commands and several character sizes allows attractive ticket designs. Due to the specification for linerless papers, the printer can be used in a temperature range of -10°C to +40°C (14°F to 104°F).

### Typical applications

- Label printing, e.g. in logistic and retail

### Drivers

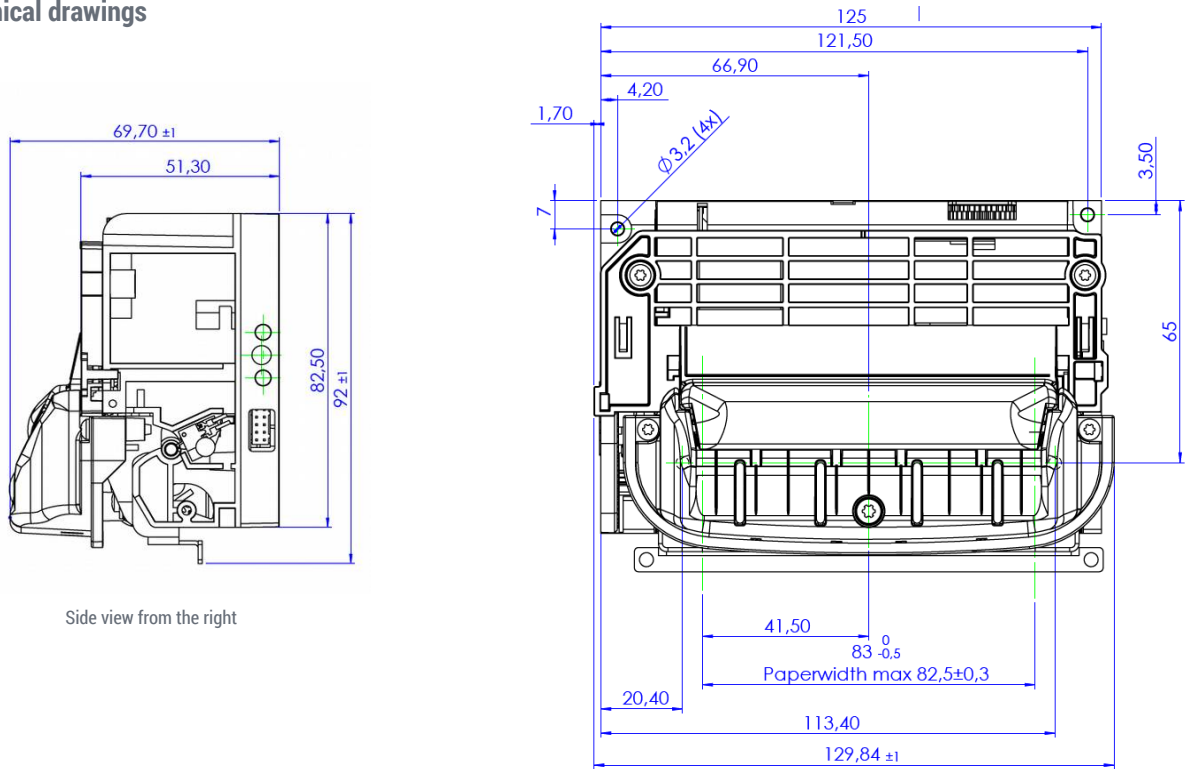
The printer controller GCT-46632 will be supported by following drivers:

- Windows® 7, 8, 8.1, 10 and Windows® CE 5.0, 6.0, 7.0
- CUPS for Linux Ubuntu 16.04 LTS, 18.04 LTS, 19.04 LTS and 20.04 LTS (others on request)
- SDK for Windows® 7, 8, 8.1, 10 and Windows® CE 6.0, 7.0, Android Studio up from version 3.2.1, Linux Ubuntu 16.04 LTS, 18.04 LTS, 19.04 LTS and 20.04 LTS, (others on request)

## Accessory

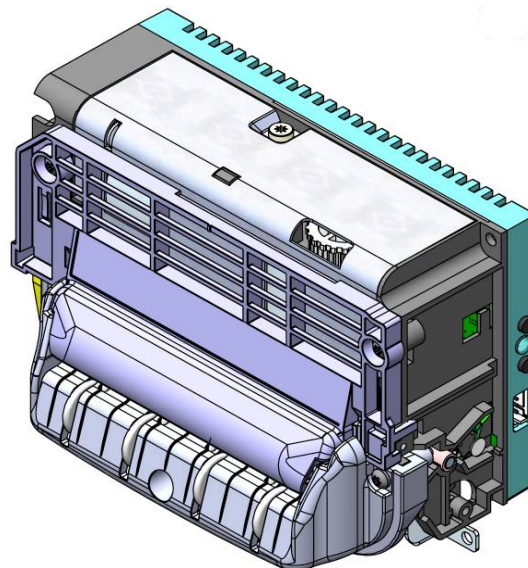
Article number	Article description
<b>Cable</b>	
12872	Data round cable USB 2.0 FS, 5 pin, Molex to USB A, length 2,000 mm (78.74 inch)
10258	Power supply cable for 10 – 36 VDC, 2 single wires 1.0 mm <sup>2</sup> with end splice, one side open, length 500 mm (19.69 inch) – for power supply 13694
13720	Adapter cable for power supply 10 – 36 VDC, DC socket to Phoenix small – for desktop power supply 13619
<b>Power supply</b>	
13694	Power supply 24 VDC / 6.5A with shockproof plug and power supply cable
13619	Desktop power supply 24 VDC / 2.7A (11A peak) with shockproof plug and power supply cable
<b>Spare parts</b>	
14112	Linerless platen
14113	Linerless support platen
14136	Green LED bezel incl. exit sensor and cable
14242	White transparent LED bezel incl. exit sensor and cable
<b>Options</b>	
14164	Adapter board for power supply and USB interface
12538	Data round cable USB 2.0 FS, USB B to USB A, length 1,800 mm (70.87 inch) – for adapter board 14164
<b>Paper</b>	
14175	7 years paper • roll: max. ø 100 mm (3.94 inch) • core inside: ø 40 mm (1.57 inch) • width: 79.5 ±0.5 mm (3.13 ±0.02 inch) • paper thickness: approx. 80 µm (3.15 mil) • outside coated • running length: approx. 65 m (71.08 yd) • linerless
14176	7 years paper • roll: max. ø 150 mm (5.91 inch) • core inside: ø 40 mm (1.57 inch) • width: 79.5 ±0.5 mm (3.13 ±0.02 inch) • paper thickness: approx. 80 µm (3.15 mil) • outside coated • running length: approx. 175 m (191.38 yd) • linerless

## Technical drawings



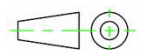
Side view from the right

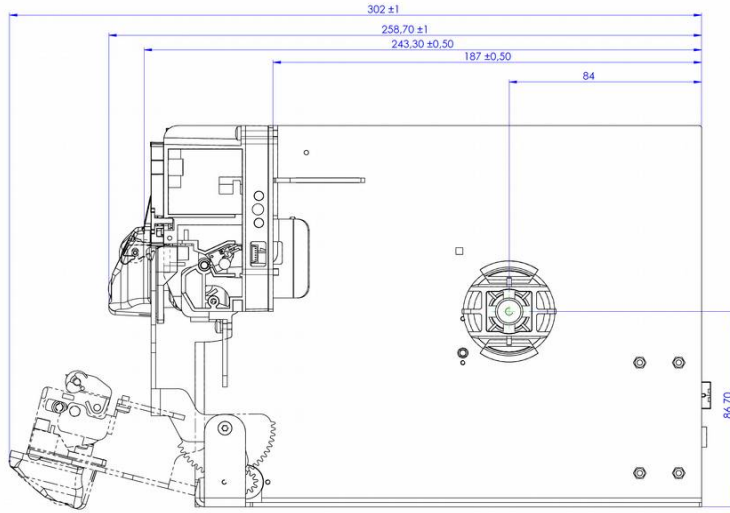
Front view



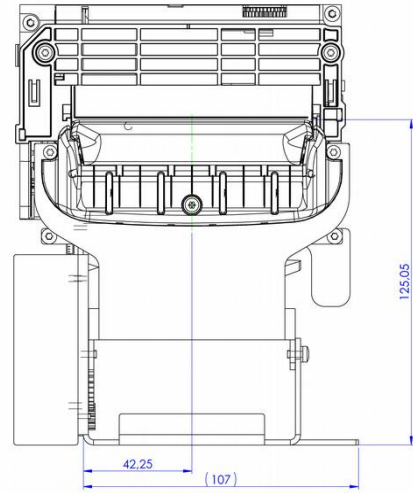
3D view

Figure 1: Dimensions GeBE-COMPACT Plus Linerless GPT-4673-PM (for 80 mm paper width) in mm

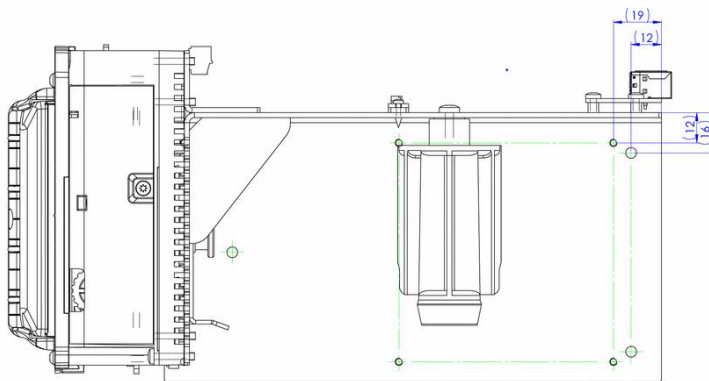




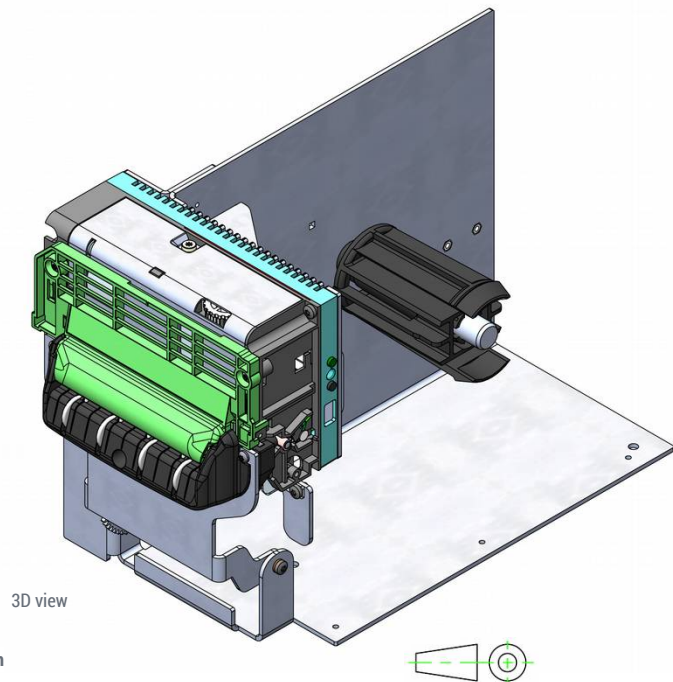
Side view from the right with paper roll holder



Front view

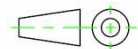


Top view with paper roll holder



3D view

Figure 2: Dimensions GeBE-COMPACT Plus Linerless GPT-4673-POH (for 80 mm paper width) in mm



## Technical data details

GPT-4673-P-LL	
Insert paper	easy paper loading
Print procedure	thermal direct print
Resolution	8 dots/mm (203dpi), 640 dots/line
Print speed	max. 250 mm/s (9.84 inch/s), depending on printer mechanism and settings
Paper width	58 – 80 mm (2.28 – 3.15 inch)
Print width	80 mm (3.15 inch)
Paper thickness	70 – 120 µm (2.76 – 4.72 mil)
Paper roll diameter	max. 150 mm (5.91 inch) with paper roll holder
Supply voltage	24 VDC ±10%
Current consumption print	adjustable via command: approx. 3.0 – 12.0 A (peak)
Current consumption without print	approx. 80 mA (depending on interface)
Available interfaces	USB 2.0 FS
Fonts	11 fonts extendable, UTF-able
Barcode	EAN8, EAN13, UPCA, Code 39, 2of5int, Code128, QR Code
MTBF <sup>*)</sup>	100 km (62 miles) / 500,000 cuts (depending on paper)
Dimensions (W x H x D)	printer with presenter unit: 125 x 93 x 70 mm (4.92 x 3.66 x 2.76 inch) printer with presenter unit and paper roll holder: 130 x 170 x 260 mm (5.12 x 6.69 x 10.24 inch)
Weight	approx. 555 g (with presenter unit)
Housing	stainless steel
Environment <sup>**)</sup>	-10°C – +40°C (14°F – 104°F), due to linerless paper specification
Humidity	10 – 90 % relative humidity, without condensation
Storage condition	-20°C – +70°C (-4°F – +158°F) at 10 – 90 % relative humidity, without condensation

<sup>\*)</sup> Life cycle according to mechanism testing conditions of the manufacturer with specified paper only. Please inquire. The life cycle of the print head is an averaged expectable performance and no guaranteed data. Under optimum conditions, the above listed data can be achieved using specified paper according to our documentation TI-DE-0606.

<sup>\*\*)</sup> In case the print head reaches the maximum ambient temperature, the printer will interrupt operation until cooling down and sends an error message.

The GeBE logo is a registered trademark of GeBE Elektronik und Feinwerktechnik GmbH. All other brands named in this brochure are properties of the respective companies.

The technical data given are non-committal information and do not represent any assurance of certain features. Errors and changes reserved.

This technical documentation is only valid until release of a revision. Please always request the newest documentation edition.

Our terms of payment and delivery apply.

Copyright © 2021 GeBE Elektronik und Feinwerktechnik GmbH.

All rights reserved.