

Trackball TVG-38 and TVG-50

Vandal-resistant trackball in different sizes with degree of protection IP65



Description

Durable all the way!

These front-panel mounted [Trackballs](#) are vandal resistant, water and dust proof and available in various sizes and materials.

Characteristics:

The module is ready to plug and play. No further devices, parts or drivers are required.

The weight of the balls and the steel axes make these trackballs very simple and exact to use.

The trackballs are available in either 38mm or 50mm diameter. The switches are flush with the front-plate and cannot be pried out.

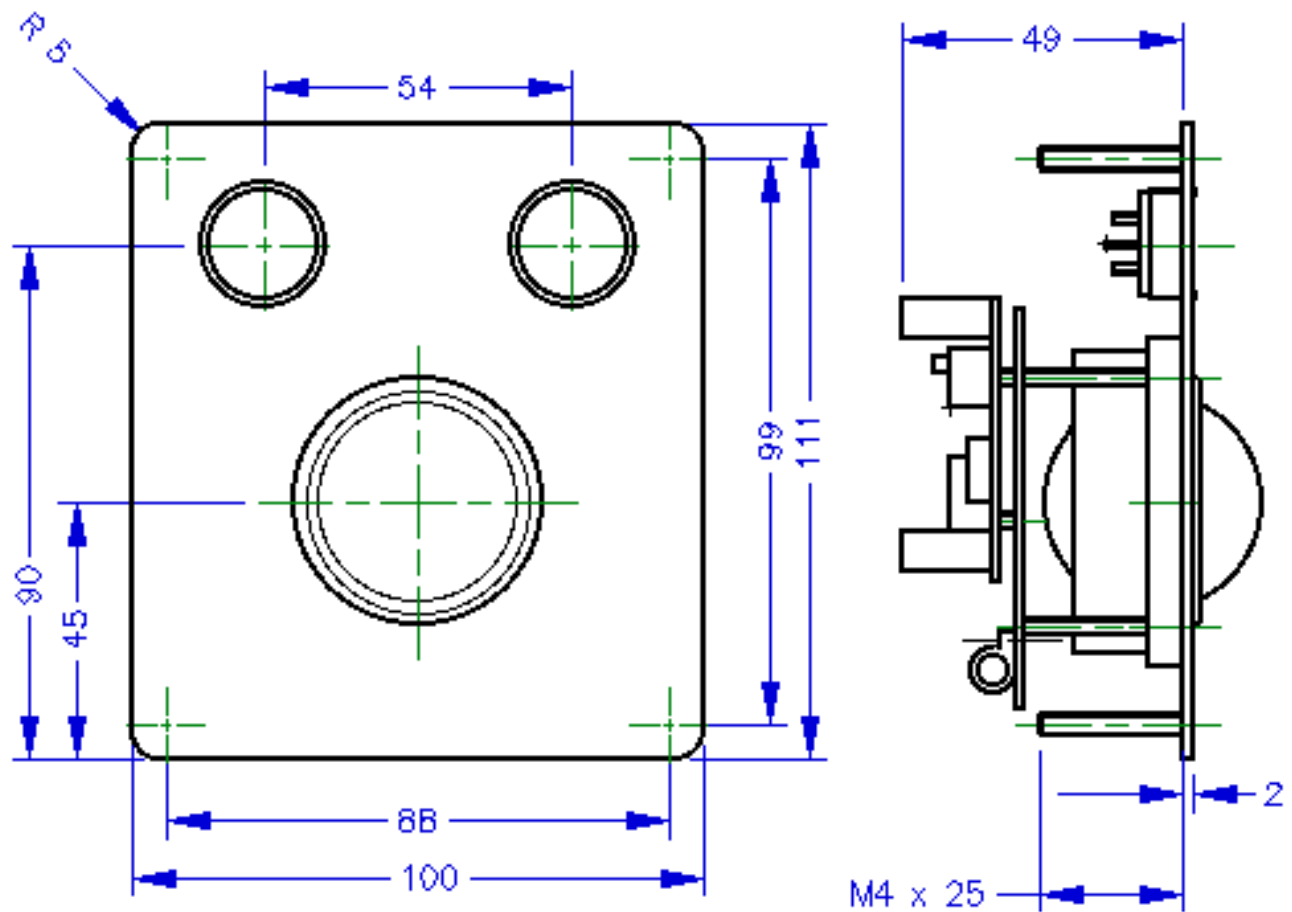
Simple to mount.

The rear-mounted studs allow simple integration into other panels and housings. The interface is available in all standard interfaces.

Applications:





- Infoterminals
- Industry
- Marine and aircraft
- medical applications
- Military

All models of the TVG-series can be adapted to suit the customer's need.



Order Information

Links

Click!	Titel
	TVG-38-Trackball A 38mm stainless steel trackball and switches integrated into a steel front plate
	TVG-38 38mm trackball integrated into a stainless steel front panel with two or three vandal resistant switches.
	TVG-50 ø 50mm Trackball integrated into a stainless steel front panel with two vandal resistant switches, IP65
	TVG-50 Stainless Steel Trackball ø 50mm Trackball integrated into a stainless steel front panel with two vandal resistant switches, IP65

sales@www.tastaturen.com **Anrufen:** (0 89) 89 43 99-0 **Faxen:** (0 89) 89 43 99-11